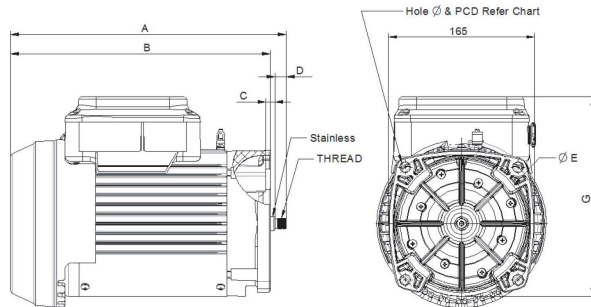


# 2.8 HP Variable speed motor

*(for USA market)*



Specifications	2.8 HP Variable speed motor
Voltage	115-230V 60Hz
Flange	Square and Round
HP	1.65 HP@115V, 2.8 HP@230V
Service Factor	1.0
Default High	3450 RPM
Default Medium-High	2600 RPM
Default Medium-Low	1725 RPM
Default Low	1100 RPM
Enclosure	Totally Enclosed Fan Cooled (TEFC)
Frame	56

## 2.8 HP Variable speed motor

Model	Electrical Data					Mechanical Data (mm.)										
	Output (watts)	Volts	Amp	Hz	RPM	A	B	C	D	E	F	G	H	Hole $\phi$	PCD	Thread
2.8 HP	2100	115/230	13.5/11.5	60	3450 2600 1725 1100	313	294	10.3	12.5	145.948-146.176	-	226	-	12.2	181	1/2"-20UNF-2A

Remark : We can design for other Voltage & Frequency , to suit customer's requirements