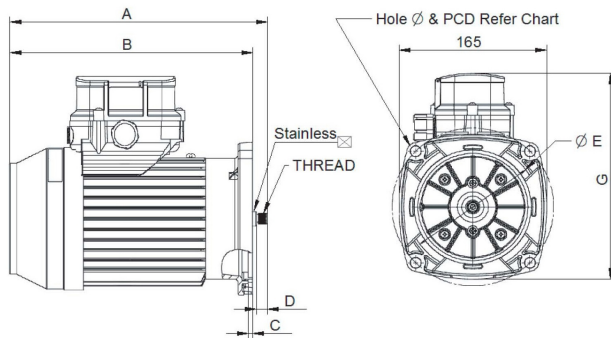


1.25 HP Variable speed motor

(for USA market)



Specifications	1.25 HP 3 Speed Variable speed motor
Voltage	208-230V 60Hz
Flange	Square and Round
HP	1.25 HP
Service Factor	1.0
Default High	3450 RPM
Default Medium-High	2600 RPM
Default Medium-Low	1725 RPM
Default Low	-
Enclosure	Totally Enclosed Fan Cooled (TEFC)
Frame	42

1.25 HP & 2.8 HP Variable speed motor

Model	Electrical Data					Mechanical Data (mm.)										
	Output (watts)	Volts	Amp	Hz	RPM	A	B	C	D	E	F	G	H	Hole Ø	PCD	Thread
1.25 HP	750	230	6.50	60	3450 2600 1725	300.9	283.5	9.9	12.5	144.75-144.88	-	235.6	-	12.5	181	1/2"-20UNF-2A

Remark : We can design for other Voltage & Frequency , to suit customer's requirements