

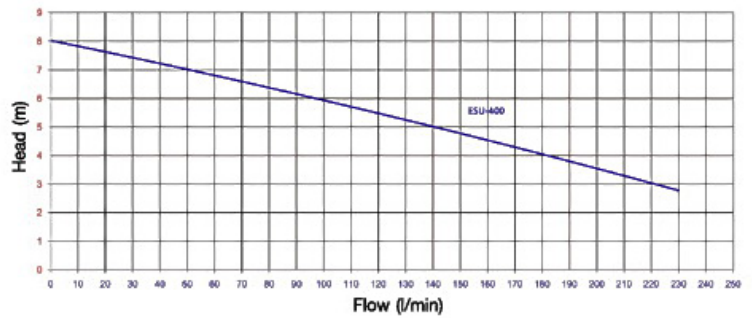
ESU-400

Submersible Pump

Sewage Pump

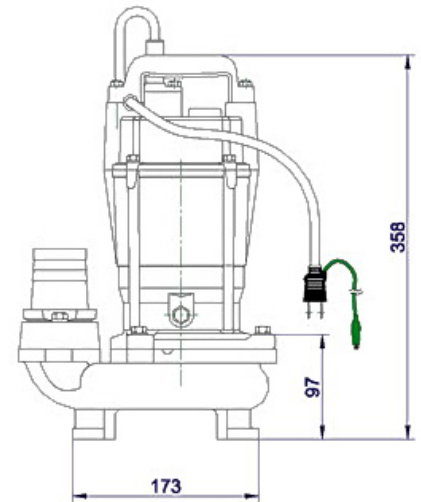


Performance Pump



Standard Specifications

Item			
Pumping Fluid	Type of fluid		Rain water , Ground Water , Sand Carrying Water , Sewage
Pump	Components	Impeller	Semi-open type
		Shaft seal	Double mechanical seal
		Bearing	Shielded ball bearing
	Materials	Impeller	Cast iron
		Casing	Aluminium diecast
		Base	Cast iron
	Shaft Seal	Ceramic / Carbon	
Motor	Type / Poles		Dry-type submersible induction motor / 2 poles
	Insulation		Class B
	Phase / Voltage / Hz		Single phase / 220V / 50 Hz
	Motor Protector (Built-in)		In winding thermal protector
	Lubricant		Turbine oil (No.40)
	Materials	Shaft	Stainless steel 420F
Cable		PVC , Standard length 5 m.	
Discharge Connection			Hose coupling



Model	Output (Watts)	Discharge (inch)	Max Head (m)	Max Flow (ℓ/min)	Volts	Hz
-------	----------------	------------------	--------------	------------------	-------	----

ESU-400	400	2" (50 mm)	8.0	230	220	50
ESU-400 AUTO						